

KONTI W Baler

J-Series



Channel Baling Press with Horizontal Wire Tying for Waste Applications

Kadant PAAL's KONTI W channel baler is designed to guarantee performance in demanding applications. The tying system, which can be operated with either steel or plastic wire, has been specially designed to function effectively in wet and dirty environments.

Kadant PAAL was founded in 1854 in Osnabrück, Germany. Since its introduction of the first continuously operated horizontal baler in 1960, PAAL has delivered more than 30,000 machines and today is the #1 channel baler manufacturer in Europe.

KONTI W J-Series Baler Overview



Features

- Adjustable upper sliding guides instead of rollers
- Ram cover and channel walls bolted for ease of replacement
- Exchangeable HARDOX® wear plates for press chamber walls
- Hydraulic sidewall slot covers and carefully sited splash guards
- Special tying unit motors
- Hard-wearing bearings integrated in replaceable mounting sleeves



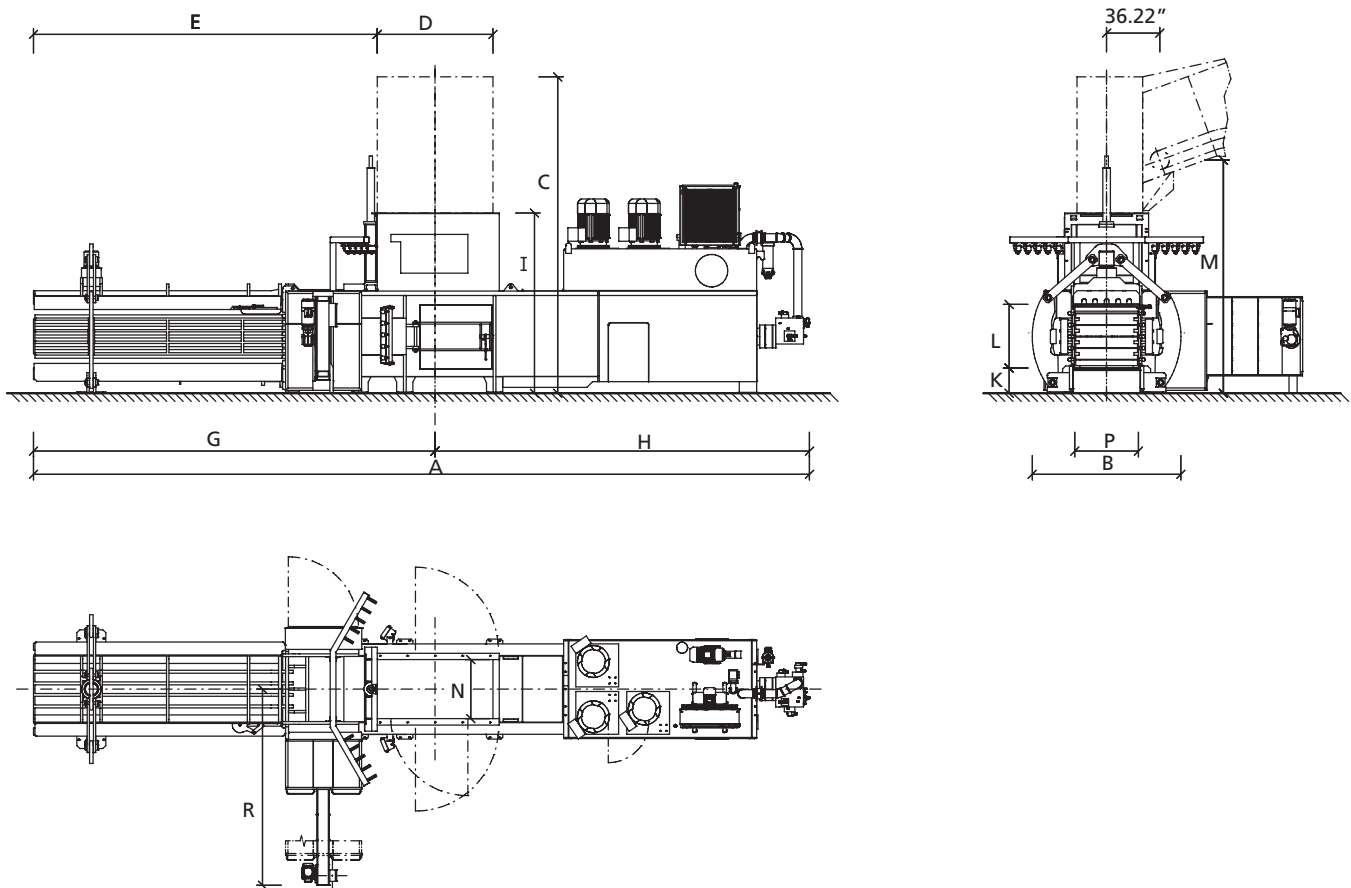
Benefits

- Protection against water ingress
- Tying unit protected from contamination
- Increased durability
- Low cost of ownership

PAAL™

Technical Data and Measurements

KONTI W Baler J-Series		500				600				700			
Pressing force	US tons	134				174				218			
Spec. pressing force	psi	144				186				232			
Tunnel cross section	inch	44 x 44				44 x 44				44 x 44			
Hopper opening	inch	79 x 41				79 x 41				79 x 41			
Feeding volume	yd ³	4.51				4.51				4.51			
Number of wires	pieces	5				5				5			
Driving power	HP	60	74	2 x 60	2 x 100	2 x 50	2 x 60	2 x 74	3 x 100	2 x 60	2 x 74	3 x 74	4 x 100
Press output (ideal)	max. yd ³ /h	562	850	1,020	1,884	824	824	1,216	1,654	680	1,013	1,400	1,733
Press output (under load – 9.36 lb/ft ³)	max. yd ³ /h	261	340	451	627	353	392	503	758	327	431	601	837
Press Capacity (Weight)													
• 9.36 lb/ft ³	US t/h	33	43	57	79	44	50	64	96	41	55	76	106
• 12.48 lb/ft ³	US t/h	39	51	66	93	53	58	74	112	49	64	89	123
• 18.72 lb/ft ³	US t/h	47	57	83	116	61	69	85	137	61	74	103	150



	A	B	C	D	E	G	H	I	K	L	M	N	P	R
KONTI W 500 J	42' 1"	9' 2"	17' 11"	6' 7"	17' 10"	21' 1"	21'	10' 3"	1' 5"	3' 7"	12' 11"	3' 4"	3' 7"	11' 1"
KONTI W 600 J	43' 9"	9' 2"	17' 11"	6' 7"	19' 6"	22' 9"	21'	10' 3"	1' 5"	3' 7"	12' 11"	3' 4"	3' 7"	11' 1"
KONTI W 700 J	46' 1"	9' 2"	17' 11"	6' 7"	21' 9"	25' 1"	21' 1"	10' 3"	1' 5"	3' 7"	12' 11"	3' 4"	3' 7"	11' 1"

Dimensions are in feet and inches.

Dimensions are for reference only and subject to change.