

KONTI 500 - 700 Baler

J-Series



Kadant PAAL's channel baler features high throughput and bale weights with low energy consumption.

Kadant PAAL was founded in 1854 in Osnabrück, Germany. Since its introduction of the first continuously operated horizontal baler in 1960, PAAL has delivered more than 31,000 machines and today is the #1 channel baler manufacturer in Europe.

KONTI J-Series Baler Overview



Features

- Vertical, horizontal or cross tying system for difficult materials
- Tying system using steel or PET wire
- Modern axial piston pumps with low drive power
- Advanced positional ram measurement system
- Larger door at rear section of baler
- Improved app-oriented operator interface and PLC with remote maintenance
- XL-Version especially designed for baling plastics



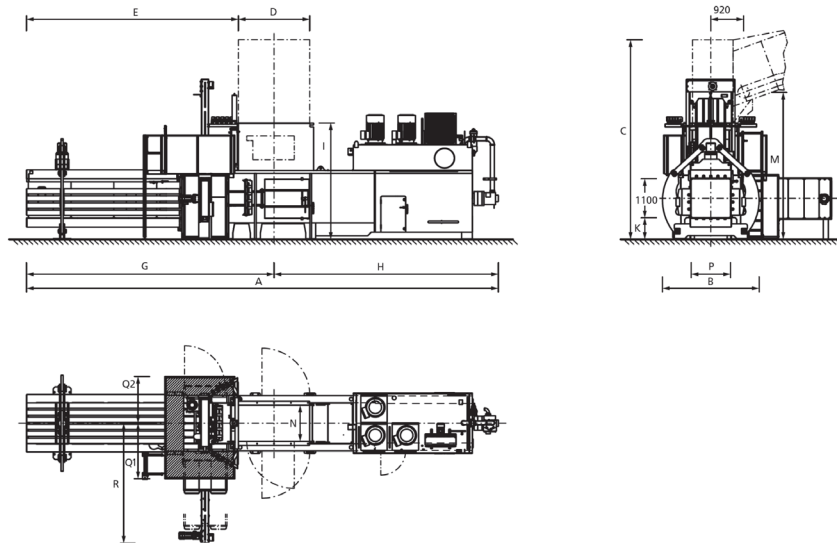
Benefits

- High throughput and bale weights
- Low energy consumption
- Simple operation and maintenance
- Low total cost of ownership

PAAL®

Technical Data and Measurements

KONTI Baler J- Series			500	600	700
Pressing force		US tons	134	174	218
Spec. pressing force		psi	144	186	232
Hydraulic reference pressure		psi	4560	4560	4560
Tunnel cross section		inch	H 44 x W 44	H 44 x W 44	H 44 x W 44
Hopper opening		inch	79 x 41	79 x 41	79 x 41
Feeding volume		ca.yd ³	4.51	4.51	4.51
Tying system (V-vertical, H-horizontal, X-crossed) & Number of wires		Type - pieces	V-5 / H-5 / X-5+4	V-5 / H-5 / X-5+4	V-5 / H-5 / X-5+4
Driving power	(ranging from - to)	HP	60 - 2 x 100	2 x 50 - 3 x 100	2 x 60 - 4 x 100
Hydraulic pump flow	(ranging from - to)	gal/min	69 - 2 x 111	2 x 69 - 3 x 111	2 x 69 - 4 x 111
Oil reservoir capacity	(ranging from - to)	gal	200 - 555	330 - 820	330 - 1057
Maximum performance without material	(ranging from - to)	max. yd ³ /h	561 - 1046	825 - 1658	677 - 1730
			Baler Capacity (Tonnes per Hour)		
• 0,94 lb/ft ³ (e.g. foil)	(ranging from - to)	ca US t/h	5 - 13	7 - 15	6 - 16
• 2,18 lb/ft ³ (e.g. flattened OCC)	(ranging from - to)	ca US t/h	11 - 31	15 - 35	14 - 37
• 3,75 lb/ft ³ (e.g. mixed paper)	(ranging from - to)	ca US t/h	19 - 49	25 - 57	23 - 60
• 5 lb/ft ³ (e.g. mixed paper)	(ranging from - to)	ca US t/h	24 - 60	32 - 71	29 - 76
• 6,3 lb/ft ³ (e.g. newspaper, magazines)	(ranging from - to)	ca US t/h	28 - 66	37 - 80	35 - 88
Baler weight (dependent on options)		US tons	45	53	62
Sound level without material at 1 m distance		dB(A)	< 85	< 85	< 85



KONTI 500	A	B	C	D	E	G	H	I	K	L	M	N	P	Q1	Q2	R
Vertical	13445	2660	5640	2000	5932	6932	6513	3290	605	1100	4160	1020	1100	1615	1370	-
Horizontal	13445	2800	5465	2000	5932	6932	6513	3115	435	1100	3950	1020	1100	-	-	3390
Crossed	13445	2660	5640	2000	5932	6932	6513	3290	605	1100	4160	1020	1100	1615	1370	3388

KONTI 600	A	B	C	D	E	G	H	I	K	L	M	N	P	Q1	Q2	R
Vertical	14145	2710	5640	2000	6632	7632	6513	3290	605	1100	4160	1020	1100	1615	1370	-
Horizontal	14145	2800	5465	2000	6632	7632	6513	3115	435	1100	3950	1020	1100	-	-	3390
Crossed	14145	2710	5640	2000	6632	7632	6513	3290	605	1100	4160	1020	1100	1615	1370	3388

KONTI 700	A	B	C	D	E	G	H	I	K	L	M	N	P	Q1	Q2	R
Vertical	14895	2810	5640	2000	7332	8332	6563	3290	605	1100	4160	1020	1100	1615	1370	-
Horizontal	14895	2800	5465	2000	7332	8332	6563	3115	435	1100	3950	1020	1100	-	-	3390
Crossed	14895	2810	5640	2000	7332	8332	6563	3290	605	1100	4160	1020	1100	1615	1370	3388

Dimensions are in feet and inches.

*Maximum length for specified hopper opening, different channel length available

Specifications are for reference only and subject to change.