

DOKON 700 Baler

H2-Series



Kadant PAAL's DOKON fully automatic channel baler's unique design makes the PAAL DOKON baler a powerful, efficient bale press with horizontal twine tying system. The PAAL DOKON baler provides a pressing force of 90 to 218 tons and offers a bale format of 32" x 44" or 44" x 44". The combination of high pressing force, independence from the cutting and compressing process, and patented pre-press setting combined with individual channel adjustment lead to high quality baling results.

Kadant PAAL was founded in 1854 in Osnabrück, Germany. Since its introduction of the first continuously operated horizontal baler in 1960, PAAL has delivered more than 30,000 machines and today is the #1 channel baler manufacturer in Europe.

PAAL™

DOKON Baler H2-Series Overview



Features

- Optimized knife, stamper, and channel design
- Modern axial piston pumps with low drive power
- Advanced positional ram measurement system
- Twine tying

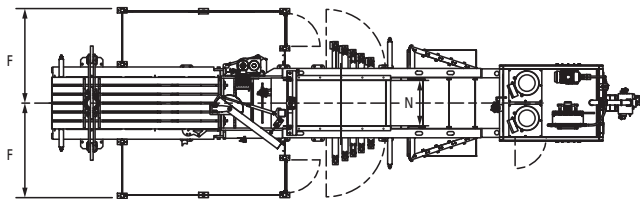
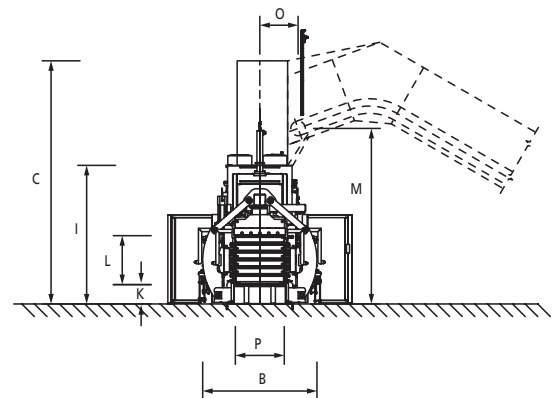
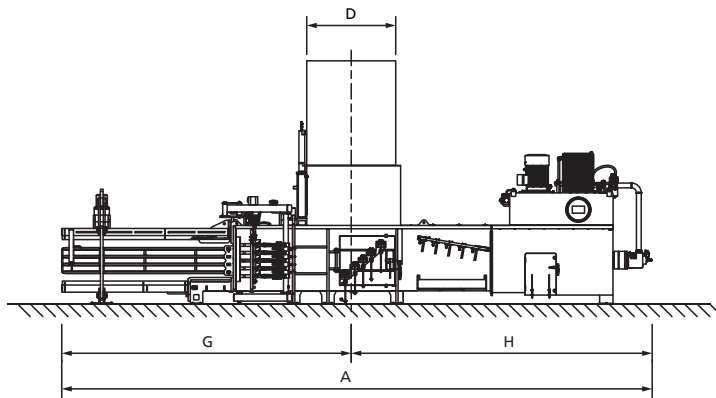


Benefits

- High throughput and bale weight
- Low energy consumption
- Easy disposal and no interference in a waste incineration process of the twine
- Low operation and maintenance costs
- Easy transport, storage, and handling of the spools
- Increased safety
- Low consumable costs by twine (approximately half the costs compared to wire)

Technical Data and Measurements

DOKON Baler H2-Series		700							
Pressing force	t (kN)	218							
Spec. pressing force	psi	232							
Hydraulic reference pressure	psi	4560							
Tunnel cross section	inch	44 x 44							
Hopper opening	inch	79 x 41							
Feeding volume	approx. yd ³	4.51							
Number of wires	pieces	5							
Driving power	HP	2 x 60	2 x 74	2 x 100	3 x 74	3 x 100	4 x 74	4 x 100	
Hydraulic pump flow	gal/min	2 x 69	2 x 111	2 x 111	3 x 111	3 x 111	4 x 111	4 x 111	
Oil reservoir capacity	gal	330	555	555	820	820	1057	1057	
Maximum performance without material	yd ³ /h	677	1016	1016	1400	1400	1730	1730	
Press Capacity (Weight)									
• 6.24 lb/ft ³ (ej. RDF)	approx. t/h	35	46	53	63	72	78	88	
• 9.36 lb/ft ³ (ej. RDF)	approx. t/h	41	55	64	76	87	94	106	
• 12.48 lb/ft ³ (ej. RDF)	approx. t/h	49	64	74	89	101	109	123	
Baler weight (dependent on options)	t	48.5							
Sound level without material at 1 m distance	dB(A)	< 85							



	A	B	C	D	F	G	H	I	K	L	M	N	O	P
DOKON 700 H2	48'	8' 9"	17' 11"	6' 6"	6' 8"	25' 3"	22' 9"	10' 2"	1' 5"	3' 7"	12' 10"	3' 4"	3'	3' 7"

Dimensions are in feet and inches.

Dimensions are for reference only and subject to change.