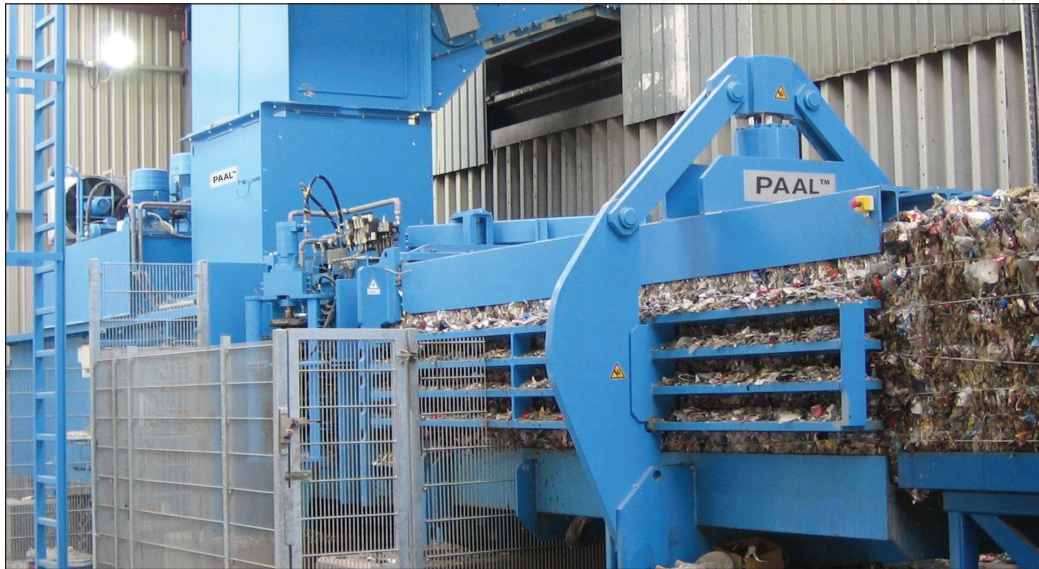


DOKON 500 Baler

H2-Series



Kadant PAAL's DOKON fully automatic channel baler's unique design makes the PAAL DOKON baler a powerful, efficient bale press with horizontal twine tying system. The PAAL DOKON baler provides a pressing force of 90 to 218 tons and offers a bale format of 32" x 44" or 44" x 44". The combination of high pressing force, independence from the cutting and compressing process, and patented pre-press setting combined with individual channel adjustment lead to high quality baling results.

Kadant PAAL was founded in 1854 in Osnabrück, Germany. Since its introduction of the first continuously operated horizontal baler in 1960, PAAL has delivered more than 30,000 machines and today is the #1 channel baler manufacturer in Europe.

PAAL™

DOKON Baler H2-Series Overview



Features

- Optimized knife, stamper, and channel design
- Modern axial piston pumps with low drive power
- Advanced positional ram measurement system
- Twine tying

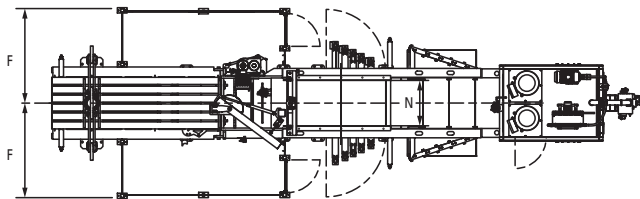
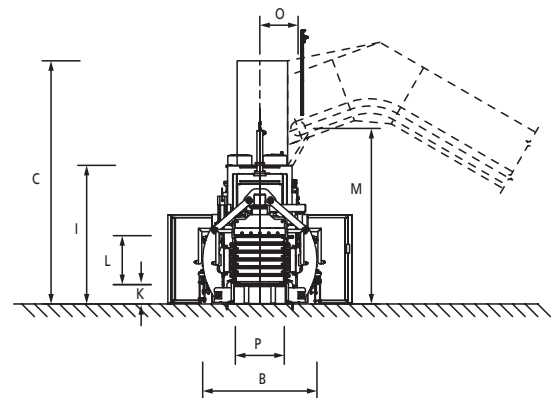
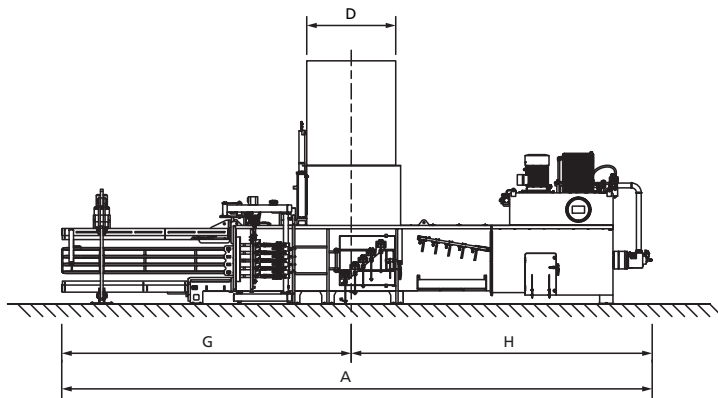


Benefits

- High throughput and bale weight
- Low energy consumption
- Easy disposal and no interference in a waste incineration process of the twine
- Low operation and maintenance costs
- Easy transport, storage, and handling of the spools
- Increased safety
- Low consumable costs by twine (approximately half the costs compared to wire)

Technical Data and Measurements

DOKON Baler H2-Series		500							
Pressing force	t (kN)	134							
Spec. pressing force	psi	1144							
Hydraulic reference pressure	psi	4560							
Tunnel cross section	inch	44 x 44							
Hopper opening	inch	79 x 41							
Feeding volume	approx. yd ³	4.51							
Number of wires	pieces	5							
Driving power	HP	60	74	100	2 x 50	2 x 60	2 x 74	2 x 100	
Hydraulic pump flow	gal/min	69	111	111	2 x 69	2 x 69	2 x 111	2 x 111	
Oil reservoir capacity	gal	200	330	330	330	330	555	555	
Maximum performance without material	yd ³ /h	542	799	799	941	941	1485	1485	
Press Capacity (Weight)									
• 6.24 lb/ft ³ (ej. RDF)	approx. t/h	26	33	36	39	41	60	66	
• 9.36 lb/ft ³ (ej. RDF)	approx. t/h	34	42	47	50	53	72	79	
• 12.48 lb/ft ³ (ej. RDF)	approx. t/h	36	45	51	53	56	83	93	
Baler weight (dependent on options)	t	44							
Sound level without material at 1 m distance	dB(A)	< 85							



	A	B	C	D	F	G	H	I	K	L	M	N	O	P
DOKON 500 H2	43' 7"	8' 5"	17' 11"	6' 6"	6' 8"	21' 4"	22' 3"	10' 2"	1' 5"	3' 7"	12' 10"	3' 4"	3'	3' 7"

Dimensions are in feet and inches.

Dimensions are for reference only and subject to change.