

DOKON 275 Baler

H2-Series



Kadant PAAL's DOKON fully automatic channel baler's unique design makes the PAAL DOKON baler a powerful, efficient bale press with horizontal twine tying system. The PAAL DOKON baler provides a pressing force of 90 to 218 tons and offers a bale format of 32" x 44" or 44" x 44". The combination of high pressing force, independence from the cutting and compressing process, and patented pre-press setting combined with individual channel adjustment lead to high quality baling results.

Kadant PAAL was founded in 1854 in Osnabrück, Germany. Since its introduction of the first continuously operated horizontal baler in 1960, PAAL has delivered more than 30,000 machines and today is the #1 channel baler manufacturer in Europe.

PAAL™

DOKON Baler H2-Series Overview



Features

- Optimized knife, stamper, and channel design
- Modern axial piston pumps with low drive power
- Advanced positional ram measurement system
- Twine tying

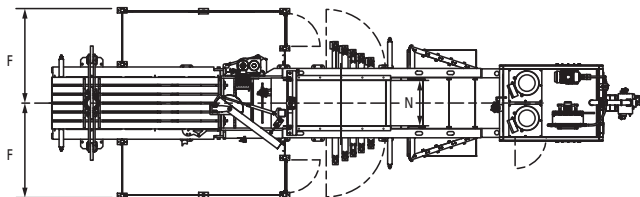
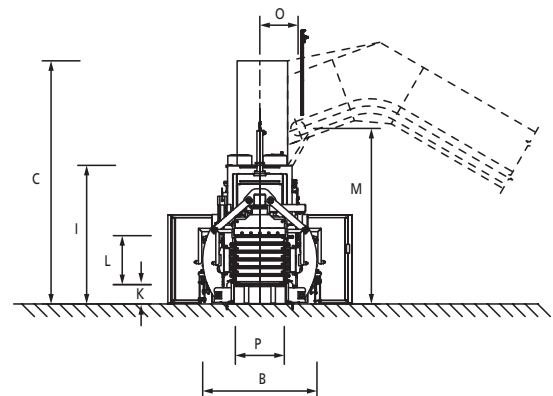
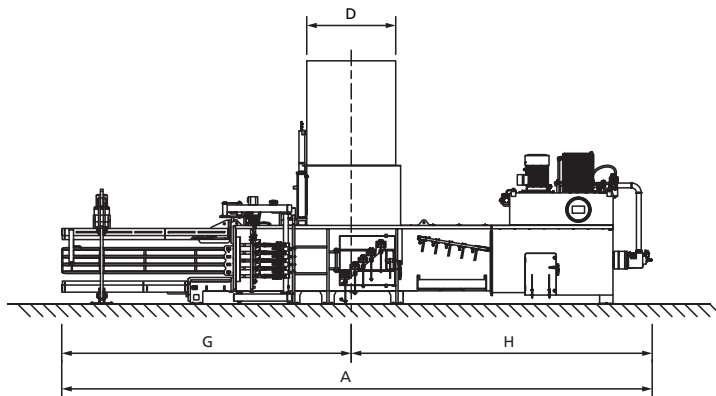


Benefits

- High throughput and bale weight
- Low energy consumption
- Easy disposal and no interference in a waste incineration process of the twine
- Low operation and maintenance costs
- Easy transport, storage, and handling of the spools
- Increased safety
- Low consumable costs by twine (approximately half the costs compared to wire)

Technical Data and Measurements

DOKON Baler H2-Series		275							
Pressing force	t (kN)	90							
Spec. pressing force	psi	141							
Hydraulic reference pressure	psi	4560							
Tunnel cross section	inch	30 x 44							
Hopper opening	inch	63 x 41							
Feeding volume	approx. yd ³	2.62							
Number of wires	pieces	4							
Driving power	HP	20	30	50	60	74	100	2 x 50	2 x 60
Hydraulic pump flow	gal/min	30	30	69	69	111	111	2 x 69	2 x 69
Oil reservoir capacity	gal	145	145	200	200	330	330	330	330
Maximum performance without material	yd ³ /h	398	398	542	542	799	799	941	941
Press Capacity (Weight)									
• 6.24 lb/ft ³ (ej. RDF)	approx. t/h	12	15	24	26	33	36	39	41
• 9.36 lb/ft ³ (ej. RDF)	approx. t/h	16	20	31	34	42	47	50	53
• 12.48 lb/ft ³ (ej. RDF)	approx. t/h	20	25	34	36	45	51	53	56
Baler weight (dependent on options)	t	27.5							
Sound level without material at 1 m distance	dB(A)	< 85							



	A	B	C	D	F	G	H	I	K	L	M	N	O	P
DOKON 275 H2	37' 8"	7' 8"	17'	5' 3"	6' 8"	17' 4"	20' 3"	9' 3"	1' 5"	2' 7"	11' 11"	3' 4"	3'	3' 7"

Dimensions are in feet and inches.

Dimensions are for reference only and subject to change.